



MANUFACTURER OF HIGH QUALITY MARINE WATERMAKERS.

## Schenker watermakers

### Our history

Established in 1998, Schenker is a leading manufacturer of high quality watermakers based on our patented Energy Recovery System. The company prides itself on its continuous investment in research and development, providing its customers with unsurpassed technical solutions.

### Our innovation

Schenker uses a low-pressure feed pump. The pressure is then increased using our new patented Energy Recovery System, powered by the waste water from the reverse osmosis process. This reduces the power consumption by up to 80% compared with conventional watermakers.

### Our mission

Provide high quality and innovative products that meet our customer needs.  
Provide excellent service and on-going support through our network of international representatives.  
Provide energy efficient, simple and reliable solutions for making water.

# Why choose a Schenker watermakers?

Power consumption is reduced by up to 80% compared with conventional watermakers. For example just 240 Watts is required to produce 60 litres of drinking water.

80% LESS  
POWER  
CONSUMPTION

Schenker watermakers produce pure drinking water. No need to carry onboard supplies of plastic bottled water thereby reducing our reliance on plastic and protecting our oceans.

REDUCING  
WASTE

Thanks to their high efficiency, Schenker watermakers can be powered directly from service batteries without the need to run the engine or generator.

DIRECT  
SERVICE  
BATTERIES  
POWER  
SUPPLY

Schenker watermakers low pressure pump and Energy Recovery System result in quiet, vibration free operation.

QUIET  
OPERATION

Thanks to the low power consumption, Schenker watermakers can easily be powered by renewable energy.

ECO  
SUSTAINABILITY

Schenker watermakers are constructed of corrosion free materials such as carbon fibre and acetylic resins. The watermaker is totally corrosion free.

CORROSION  
FREE  
MATERIALS

The watermaker will automatically flush the membrane with fresh water at the end of its cycle.

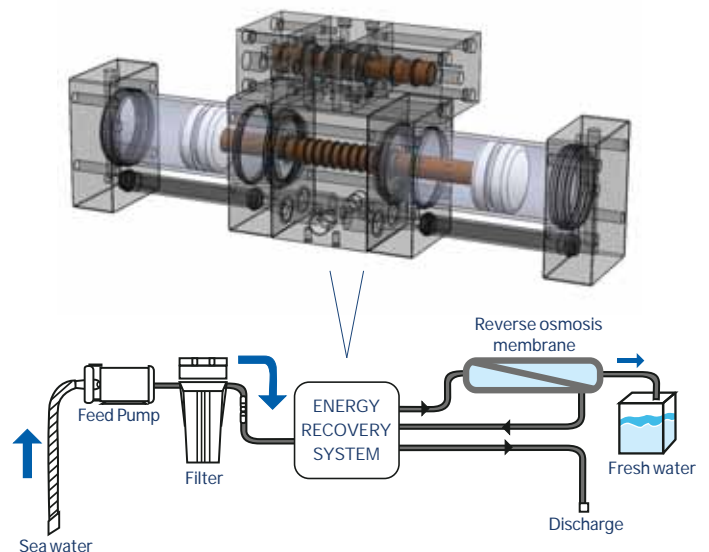
AUTOMATIC  
MEMBRANE  
FLUSHING

Schenker watermakers new generation seals have been designed using nanotechnology. This material is characterised by a very low friction coefficient and is incredibly long-lasting ensuring reliable operation.

LONG LASTING  
COMPONENTS

## WORKING PRINCIPLE

Schenker uses a low-pressure feed pump. The pressure is then increased using its new, patented Energy Recovery System powered by the waste water from the reverse osmosis process.. This results in very high-energy efficiency with typical power consumption of only 4 Watts per litre of drinking water produced.



# Designed to be

Schenker watermakers are simple, quiet, compact, efficient and fully automatic.

A Schenker watermaker will allow you to extend your cruising duration and increase your independence from marinas, allowing you to enjoy more time on the water.

Schenker's three-year warranty is backed up by our international network of sales and service representatives.



different.





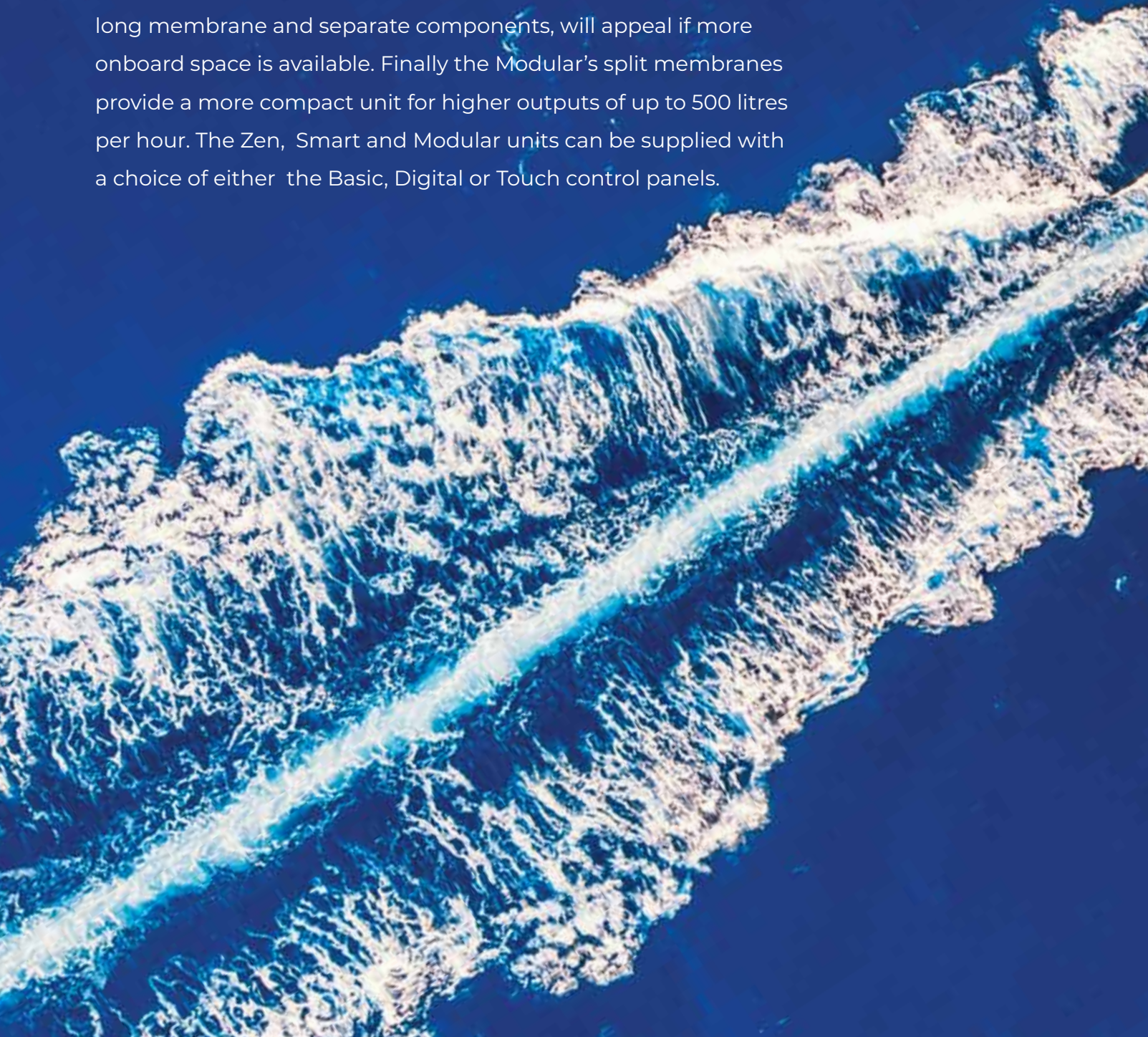
# Which model of new generation Schenker watermakers should I choose?

Schenker watermakers are available in three models types: The Zen, Smart and Modular.

All units incorporate Schenker's power saving Energy Recovery System and high quality materials.

The new compact Zen, with its clean looks, ultra-flat design and minimal external fittings, is a perfect choice where onboard space is limited or you want the latest in watermaker design.

Alternatively the more traditional Smart design, with its single long membrane and separate components, will appeal if more onboard space is available. Finally the Modular's split membranes provide a more compact unit for higher outputs of up to 500 litres per hour. The Zen, Smart and Modular units can be supplied with a choice of either the Basic, Digital or Touch control panels.





An aerial photograph of a speedboat moving across a deep blue body of water, leaving a white wake. The boat is positioned in the lower-left quadrant of the frame, angled towards the upper-right. The water's surface is textured with small whitecaps and ripples. The overall lighting is bright, creating a high-contrast scene between the white wake and the dark blue water.

SMALL, LARGE OR XLARGE

## What size of watermaker should I choose?

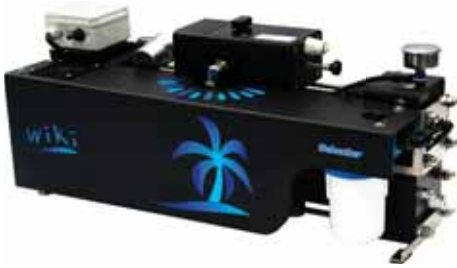
We all have varying water needs aboard, ranging from 30 to 50 litres per day per person. Your ideal watermaker should provide the daily fresh water needs of the boat in about three to four hours. For example, a yacht with 5 persons onboard may need about 200 litres per day. This could be produced by a Zen 50 watermaker in four hours.

DC OR AC ?

## Should I choose a dc or ac watermaker?

All Schenker watermakers are fitted with an Energy Recovery System, reducing the power consumption by up to 80% compared with conventional watermakers. The 30 and 50 litre per hour units are available in DC only. Units from 60 to 150 litres per hour are available in both DC and AC, and the higher output units are AC. The quiet operation of Schenker's watermakers allows you to opt for a smaller output unit that can operate for longer periods to produce the amount of water you need.

# Our watermakers



Wiki, a compact, portable, energy-efficient, Italian-designed watermaker. It doesn't require installation and can be put into operation in a few minutes, by connecting the pipes through practical quick-coupling fittings. 12-24 VDC, low power (110W), easy setup.



Quiet, small, light, efficient, affordable. Can be installed horizontally or upright. Very compact, fitting the smallest of spaces.

**RANGE**  
**30 - 50 - 100 - 150 litres/hour**



The ZEN Twin is based on two independent watermakers, offers the possibility to operate both or just one machine.

**RANGE**  
**200 - 300 litres/hour**

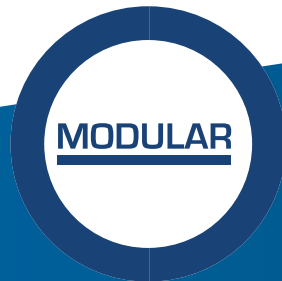
Production may vary +/-20% according to the specific working conditions.

# Our watermakers



Light, single membrane.  
The ideal solution for those who  
prefer a simple and essential system.

**RANGE**  
**30 - 60 - 80 - 100 litres/hour**



A very compact unit.  
Choice of output range to satisfy all  
needs.

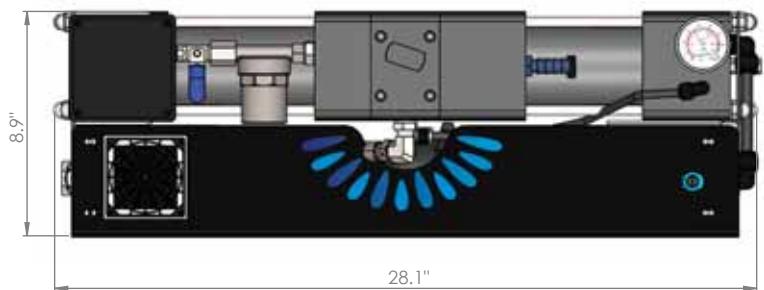
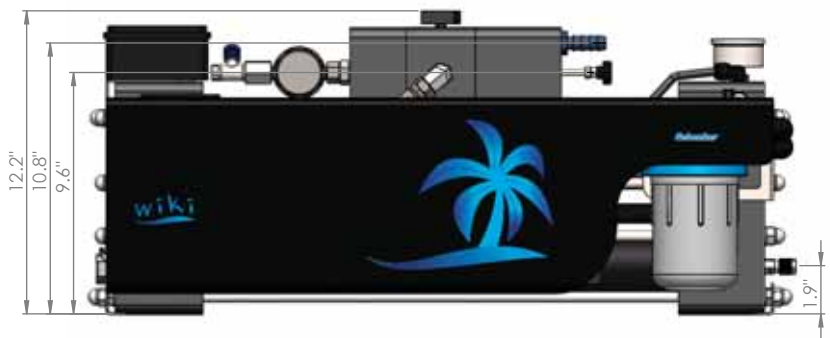
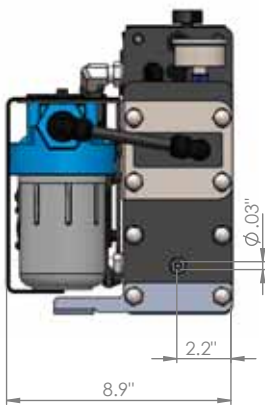
**RANGE**  
**35 - 60 - 100 - 150**  
**230 - 300 - 500 litres/hour**





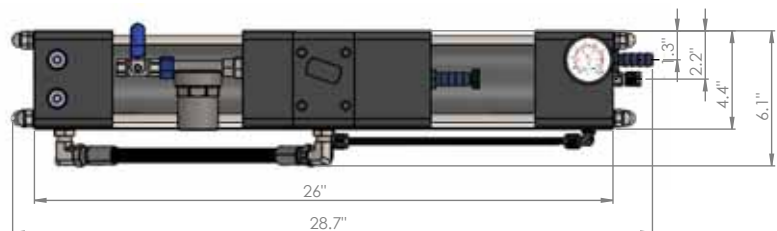
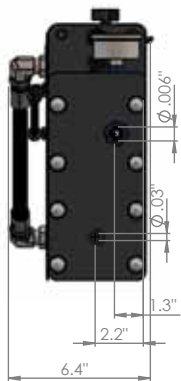
Power Supply	12 / 24 V
Consumption	110 Watt
Weight	55.1 lbs
Membranes	n° 1 2,5" x 21"

- 1/4 PERSONS
- OCEAN ROWING BOATS
- INFLATABLE BOAT
- 30/40 FEET SAILBOAT
- 25/35 FEET CATAMARAN
- 25/35 FEET POWERBOAT





Power Supply	12 / 24 V
Consumption	110 Watt
Weight	48.5 lbs
Membranes	n° 1 2,5" x 21"

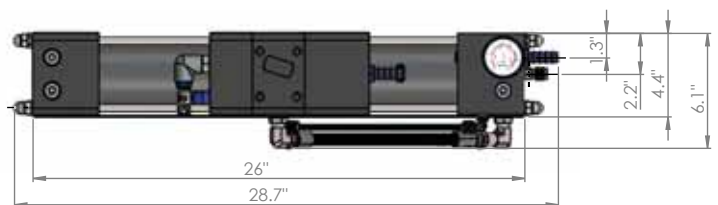
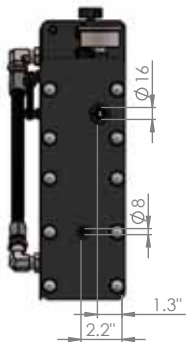
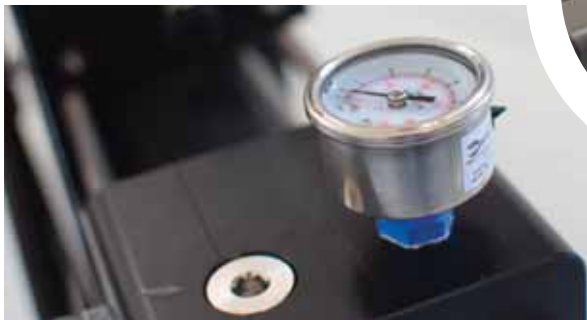






Power Supply	12 / 24 V
Consumption	240 Watt
Weight	68.3 lbs
Membranes	n°2 2,5" x 21"

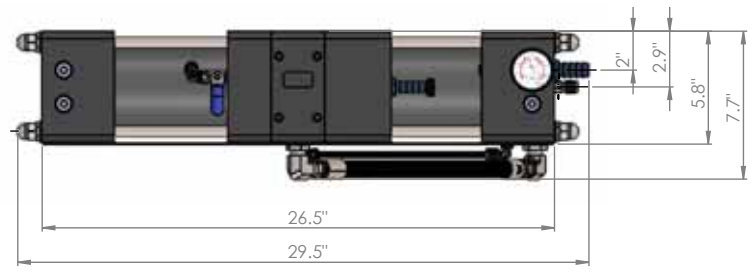
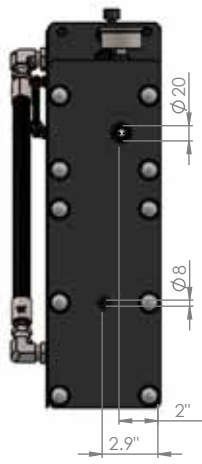
- 4/6 PERSONS
- 35/45 FEET SAILBOAT
- 30/40 FEET CATAMARAN
- 30/40 FEET POWERBOAT





Power Supply	12/24/48 VDC or AC
Consumption	400 Watt
Weight	116.8 lbs
Membranes	n°2 4" x 21"

- 6/8 PERSONS
- 45/55 FEET SAILBOAT
- 35/45 FEET CATAMARAN
- 35/45 FEET POWERBOAT

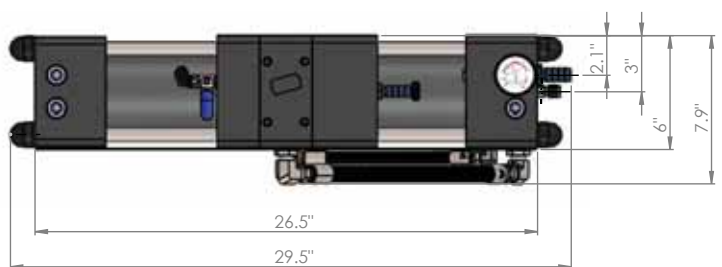
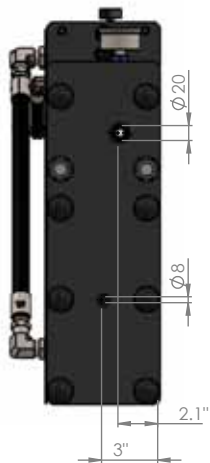
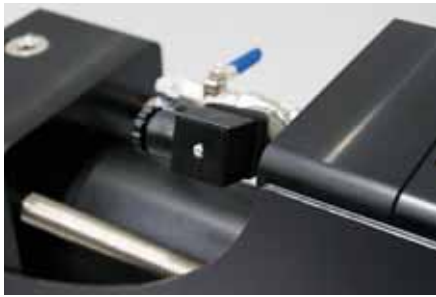






Power Supply	24/48 VDC or AC
Consumption	600 Watt
Weight	136.7 lbs
Membranes	n°2 4" x 21"

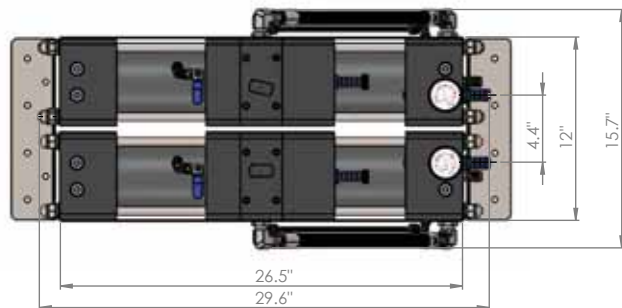
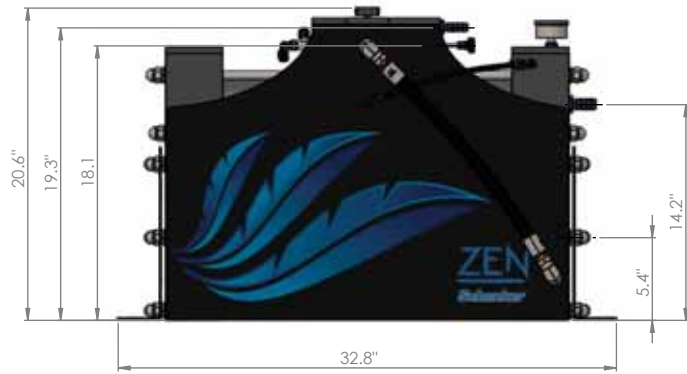
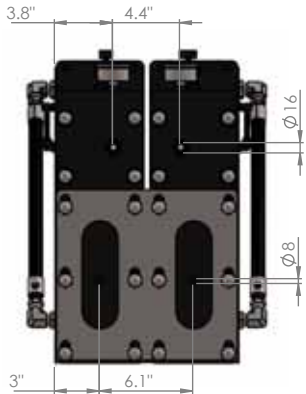
- 8/10 PERSONS
- 50/60 FEET SAILBOAT
- 40/50 FEET CATAMARAN
- 40/50 FEET POWERBOAT





⚡ Power Supply	12/24/48 VDC or AC
🔋 Consumption	800 Watt
📦 Weight	224.9 lbs
📄 Membranes	n°4 4" x 21"

- 10/12 PERSONS
- 55/65 FEET SAILBOAT
- 50/60 FEET CATAMARAN
- 50/60 FEET POWERBOAT

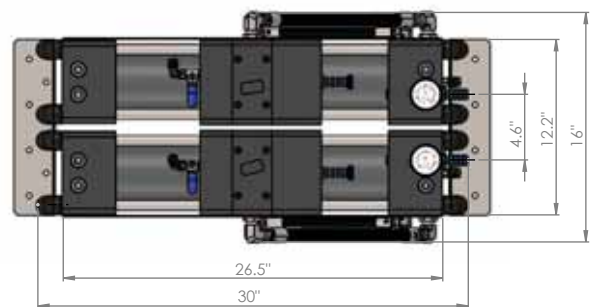
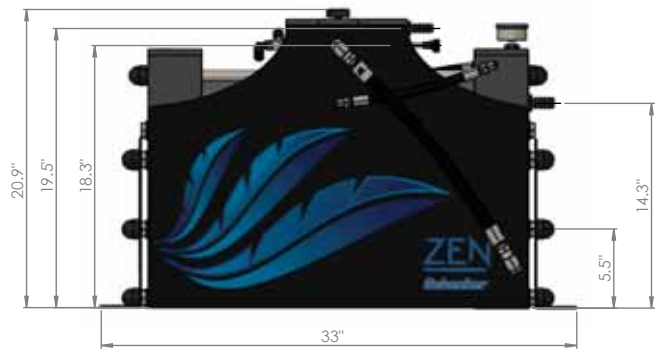
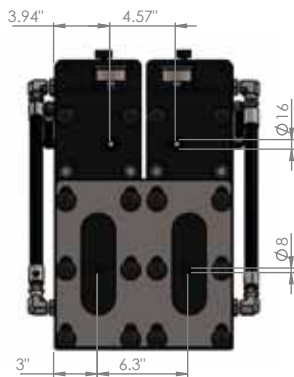
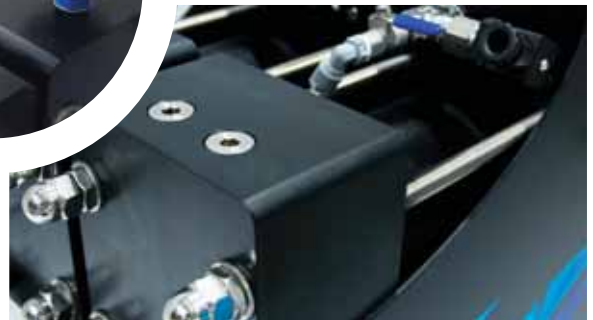
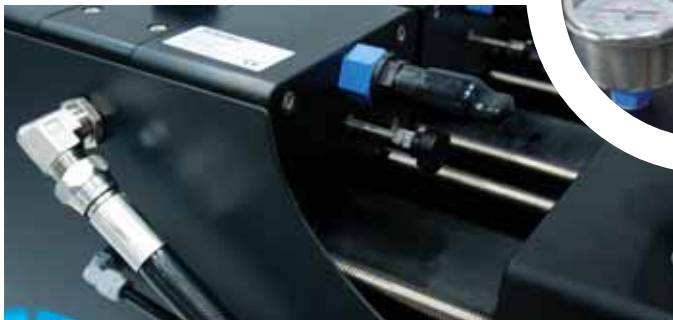






Power Supply	24/48 VDC or AC
Consumption	1,2 kWatt
Weight	264.6 lbs
Membranes	n°4 4" x 21"

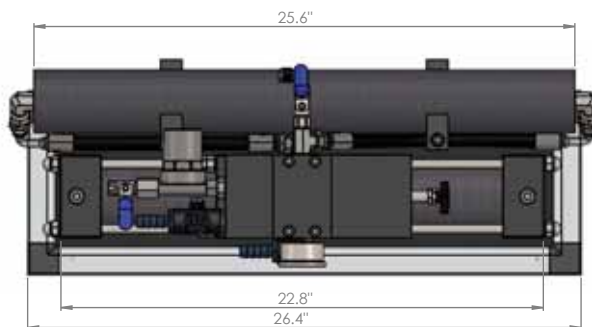
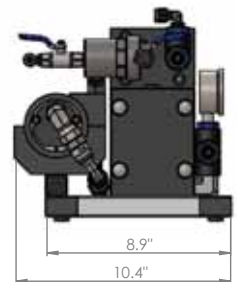
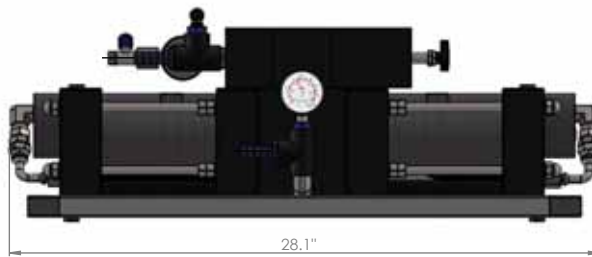
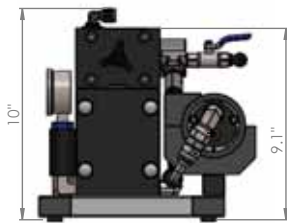
12/14 PERSONS 	60/70 FEET SAILBOAT 	55/65 FEET CATAMARAN 	55/65 FEET POWERBOAT 
-------------------	-------------------------	--------------------------	--------------------------





Power Supply	12 / 24 VDC
Consumption	110 Watt
Weight	55.1 lbs
Membranes	nº1 2,5" x 21"

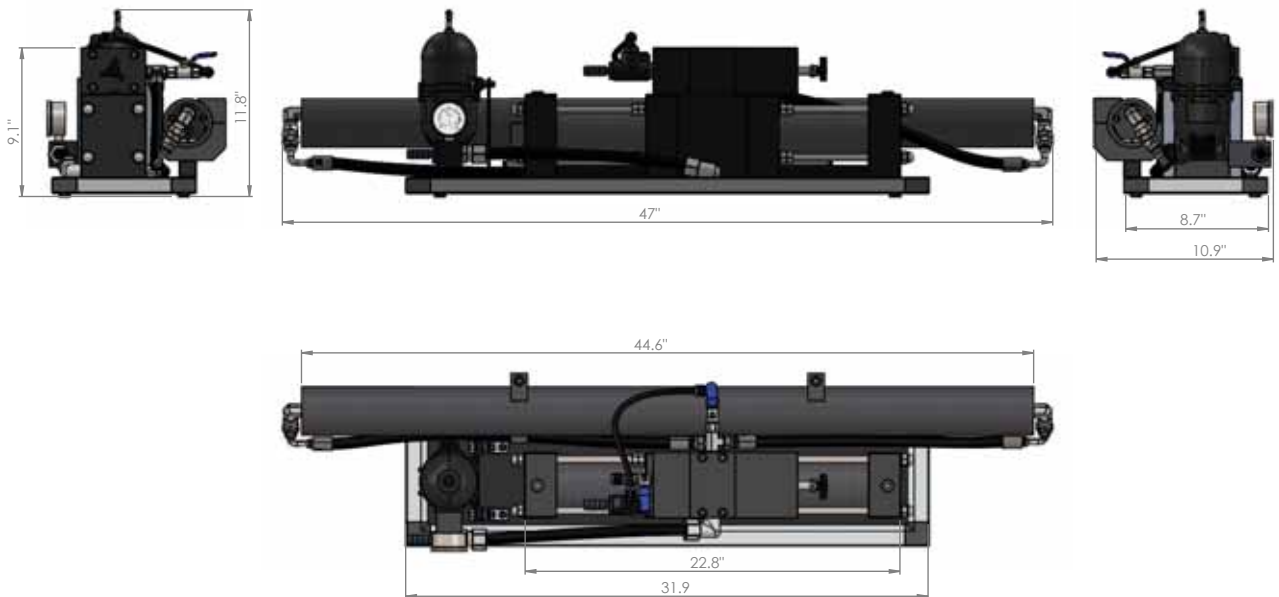
- 1/4 PERSONS
- 30/40 FEET SAILBOAT
- 25/35 FEET CATAMARAN
- 25/35 FEET POWERBOAT





Power Supply	12 / 24 VDC or AC
Consumption	240 Watt
Weight	68.3 lbs
Membranes	n°1 2,5" x 40"

- 4/6 PERSONS
- 35/45 FEET SAILBOAT
- 30/40 FEET CATAMARAN
- 30/40 FEET POWERBOAT

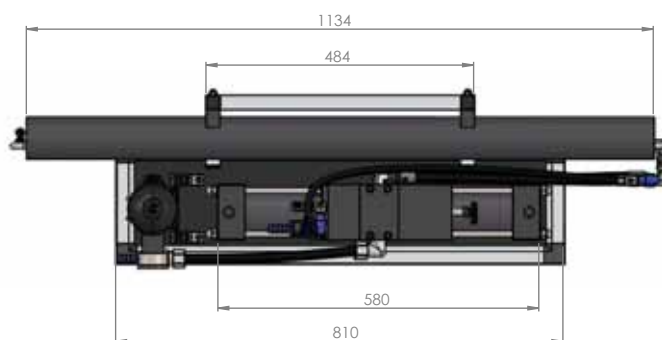
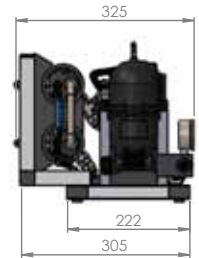
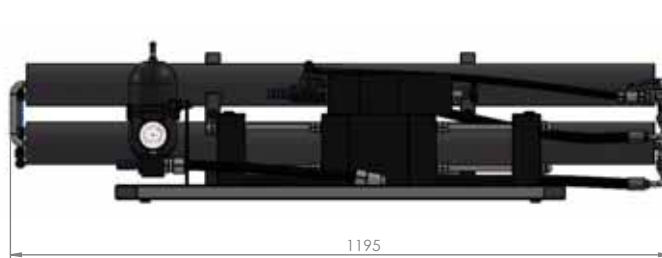
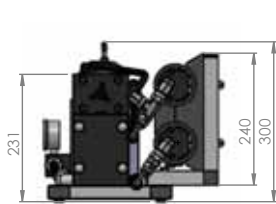






Power Supply	12 / 24 VDC or AC
Consumption	380 Watt
Weight	77.2 lbs
Membranes	n°2 2,5" x 40"

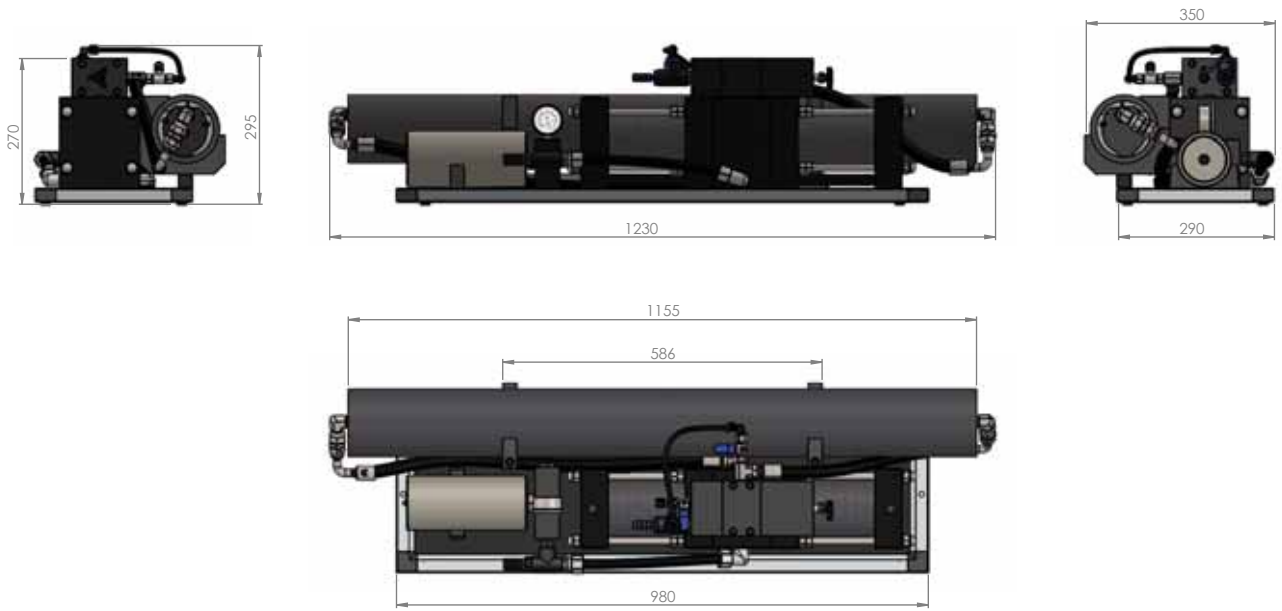
6/7 PERSONS	40/50 FEET SAILBOAT	35/45 FEET CATAMARAN	35/45 FEET POWERBOAT
-------------	---------------------	----------------------	----------------------





Power Supply	12/24/48 VDC or AC
Consumption	400 Watt
Weight	105.8 lbs
Membranes	n°1 4" x 40"





<p>6/8 PERSONS</p>	<p>45/55 FEET SAILBOAT</p>	<p>35/45 FEET CATAMARAN</p>	<p>35/45 FEET POWERBOAT</p>
--------------------	----------------------------	-----------------------------	-----------------------------



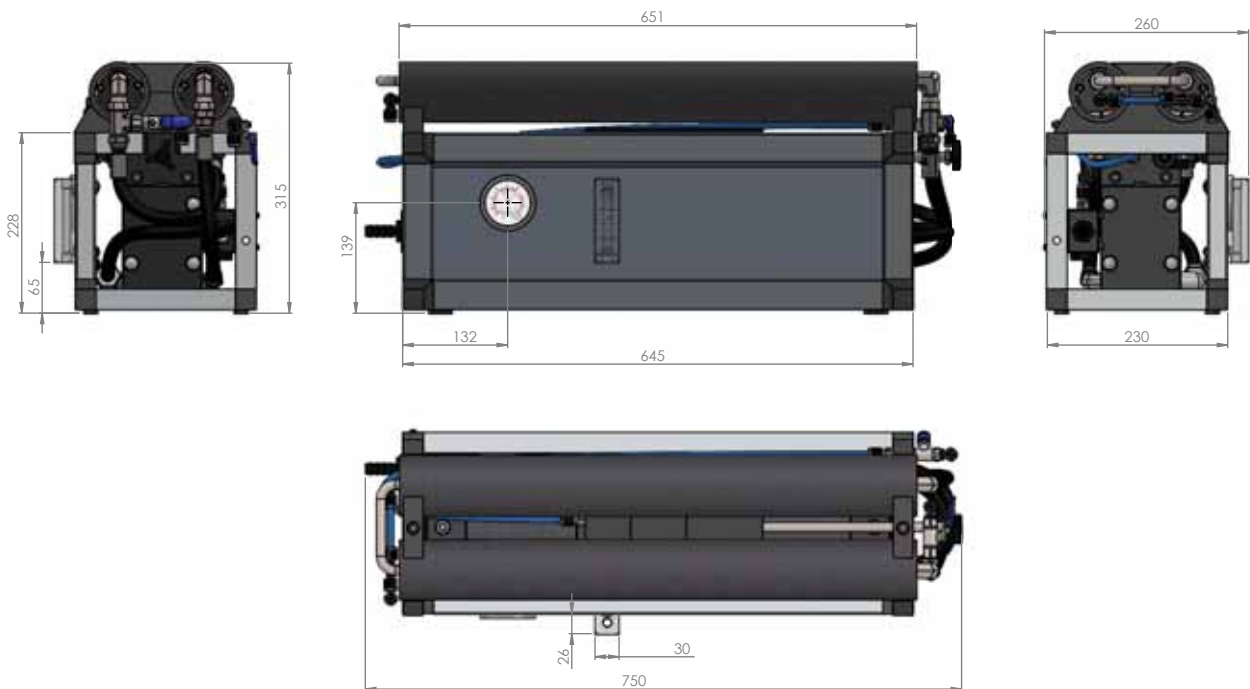
# MODULAR

35 lit/h  
Gal/h 9



 Power Supply	12 / 24 VDC
 Consumption	100 Watt
 Weight	68.3 lbs
 Membranes	n°2 2,5" x 21"

- 1/4 PERSONS 
- 30/40 FEET SAILBOAT 
- 25/35 FEET CATAMARAN 
- 25/35 FEET POWERBOAT 



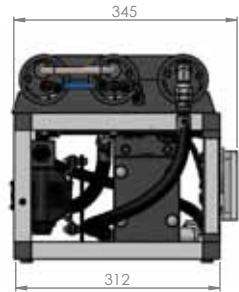
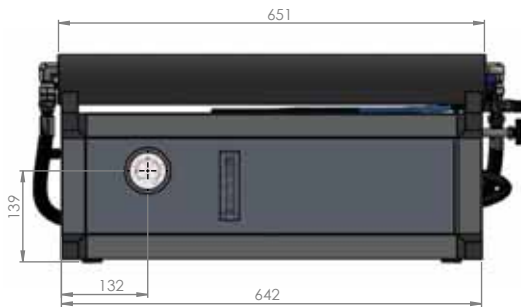
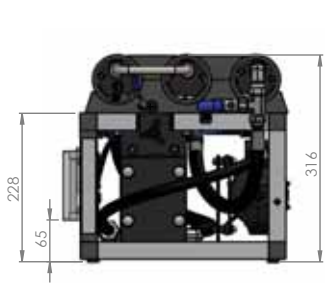


**MODULAR**  
**60 lit/h**  
**Gal/h 15.8**



Power Supply	12 / 24 VDC or AC
Consumption	240 Watt
Weight	83.8 lbs
Membranes	n°3 2,5" x 21"

- 4/6 PERSONS
- 35/45 FEET SAILBOAT
- 30/40 FEET CATAMARAN
- 30/40 FEET POWERBOAT

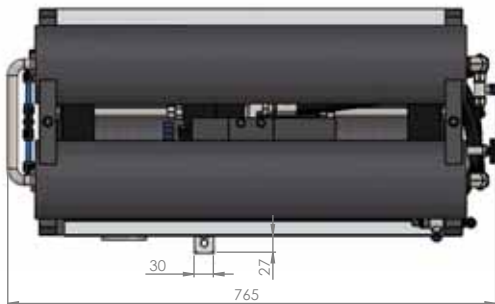
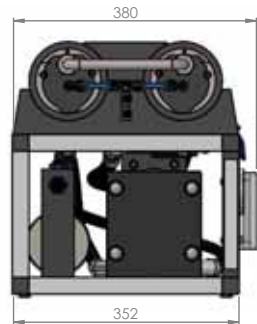
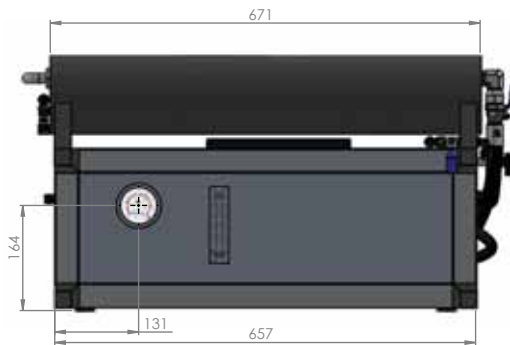
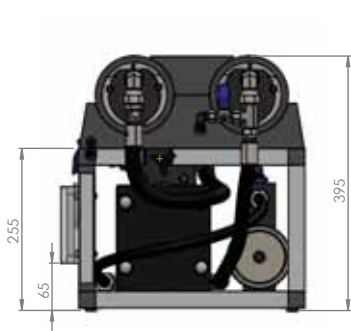


**MODULAR**  
**100 lit/h**  
**Gal/h 26.4**



Power Supply	12/24/48 VDC or AC
Consumption	400 Watt
Weight	127.9 lbs
Membranes	n°2 4" x 21"

- 6/8 PERSONS
- 45/55 FEET SAILBOAT
- 35/45 FEET CATAMARAN
- 35/45 FEET POWERBOAT

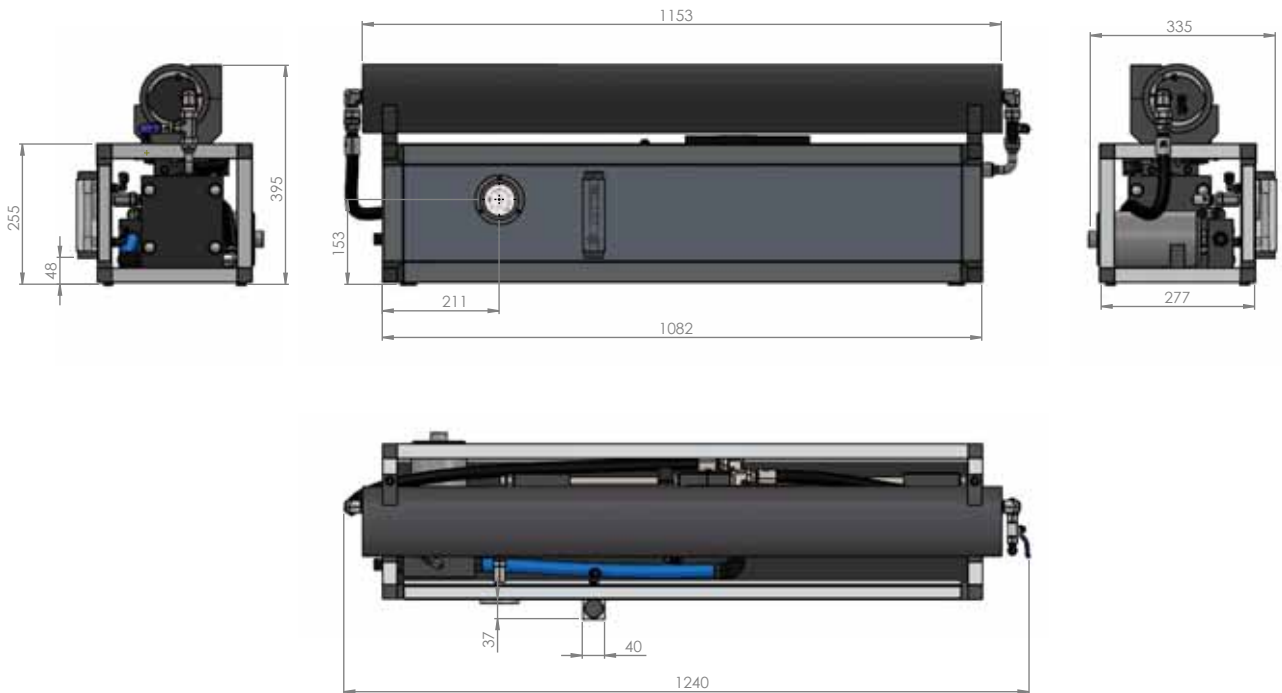
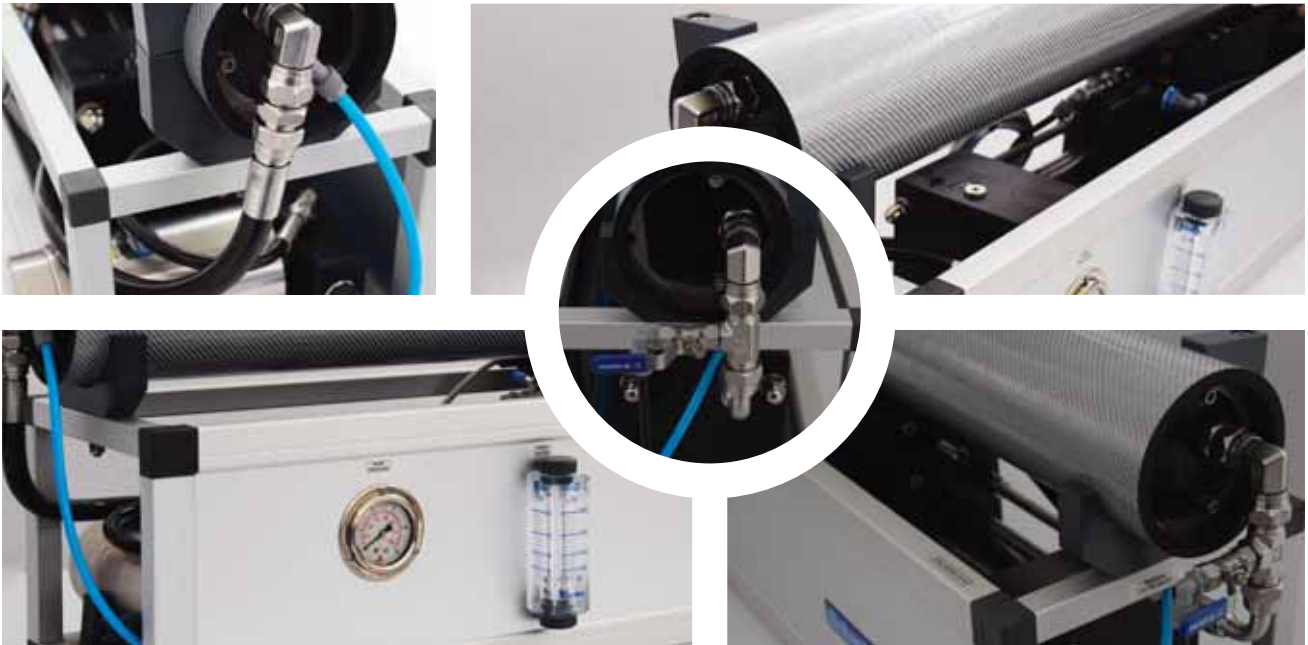


**MODULAR**  
**150 lit/h**  
**Gal/h 39.6**



Power Supply	24/48 VDC or AC
Consumption	600 Watt
Weight	152.1 lbs
Membranes	n°1 4" x 40"

- 8/10 PERSONS
- 50/60 FEET SAILBOAT
- 40/50 FEET CATAMARAN
- 40/50 FEET POWERBOAT





# MODULAR

230 lit/h  
Gal/h 61



Power Supply AC single or three phase

Consumption 1,5 kW

Weight 209.4 lbs

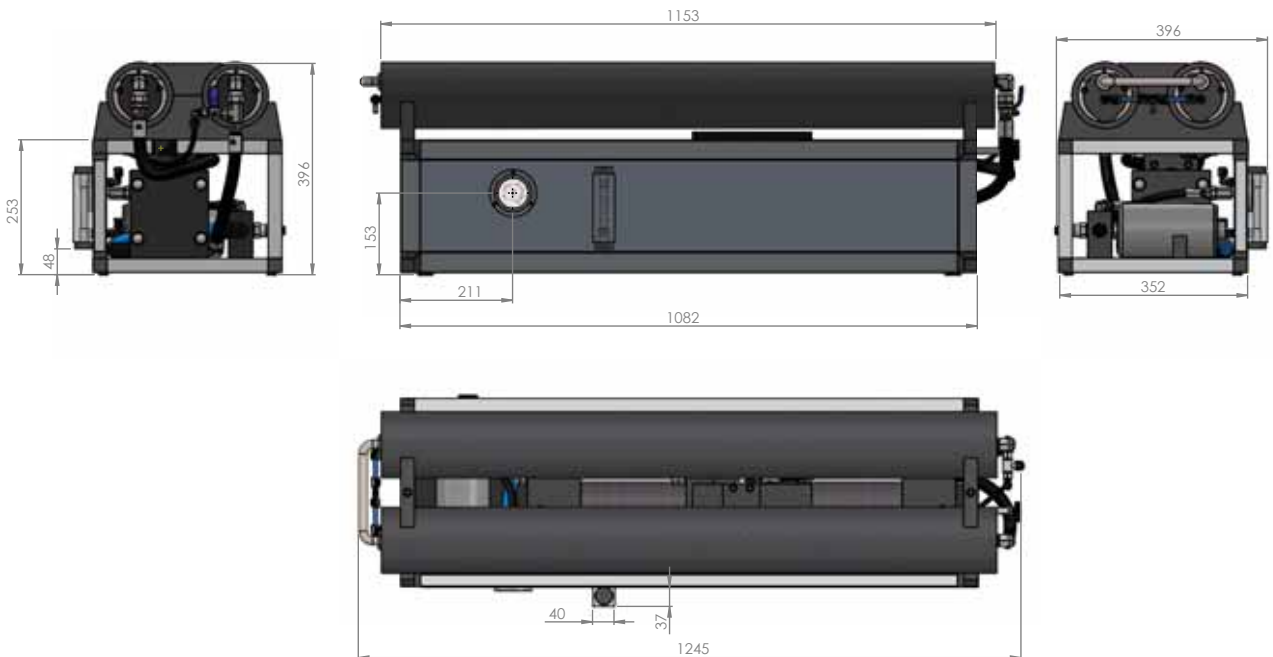
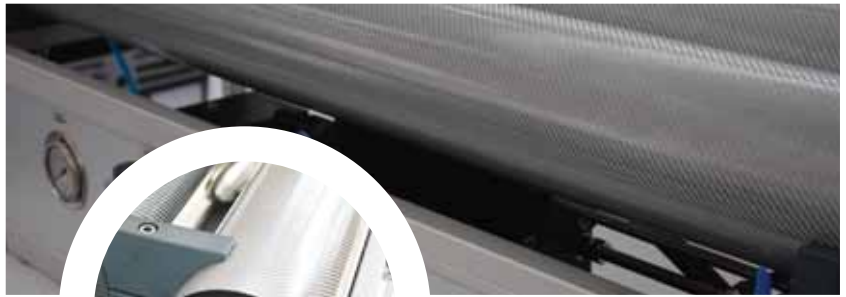
Membranes n°2 4" x 40"

10/12 PERSONS

55/65 FEET SAILBOAT

50/60 FEET CATAMARAN

50/60 FEET POWERBOAT



# MODULAR

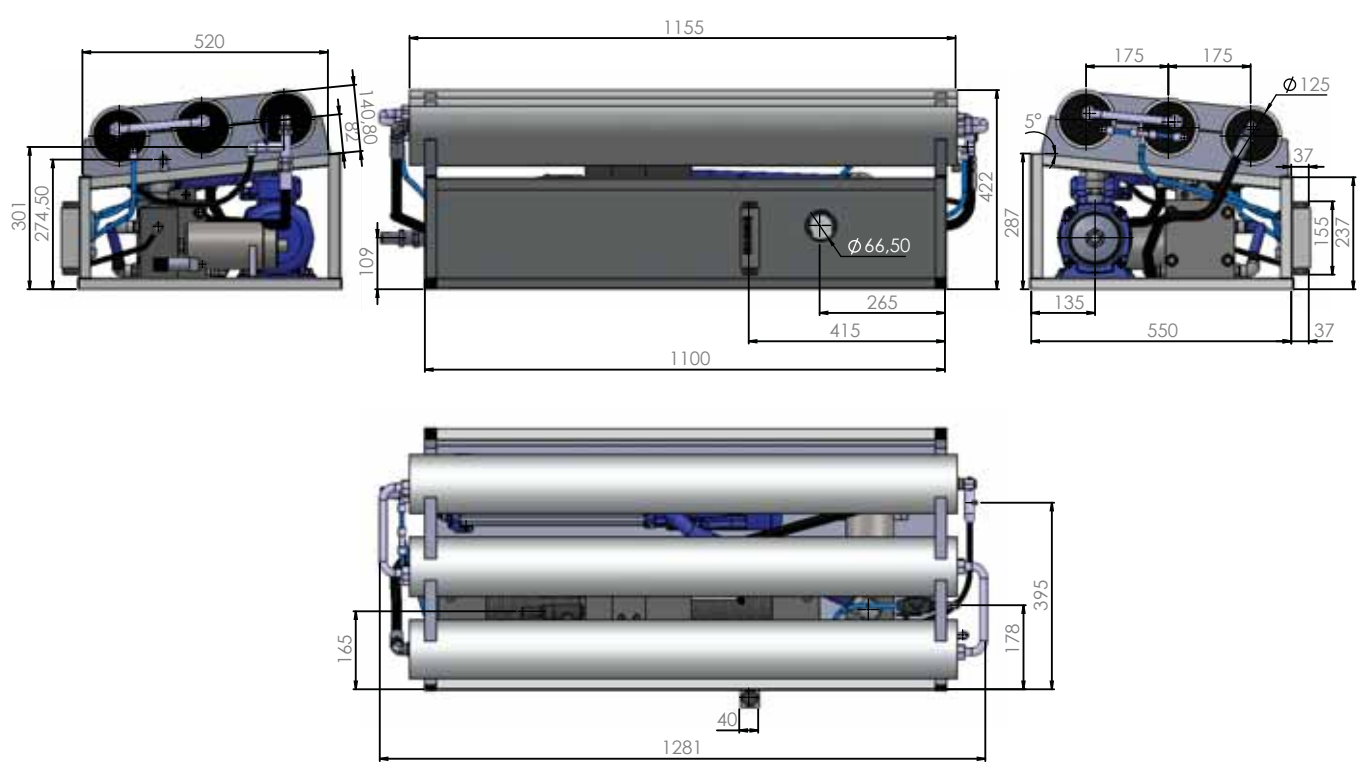
300 lit/h  
Gal/h 79

Main pump inside  
INVERTER TECHNOLOGY



Power Supply	AC single or three phase
Consumption	2,5 kW
Weight	319.7 lbs
Membranes	n°3 4" x 40"

- 12/14 PERSONS
- 60/70 FEET SAILBOAT
- 55/65 FEET CATAMARAN
- 55/65 FEET POWERBOAT



# MODULAR

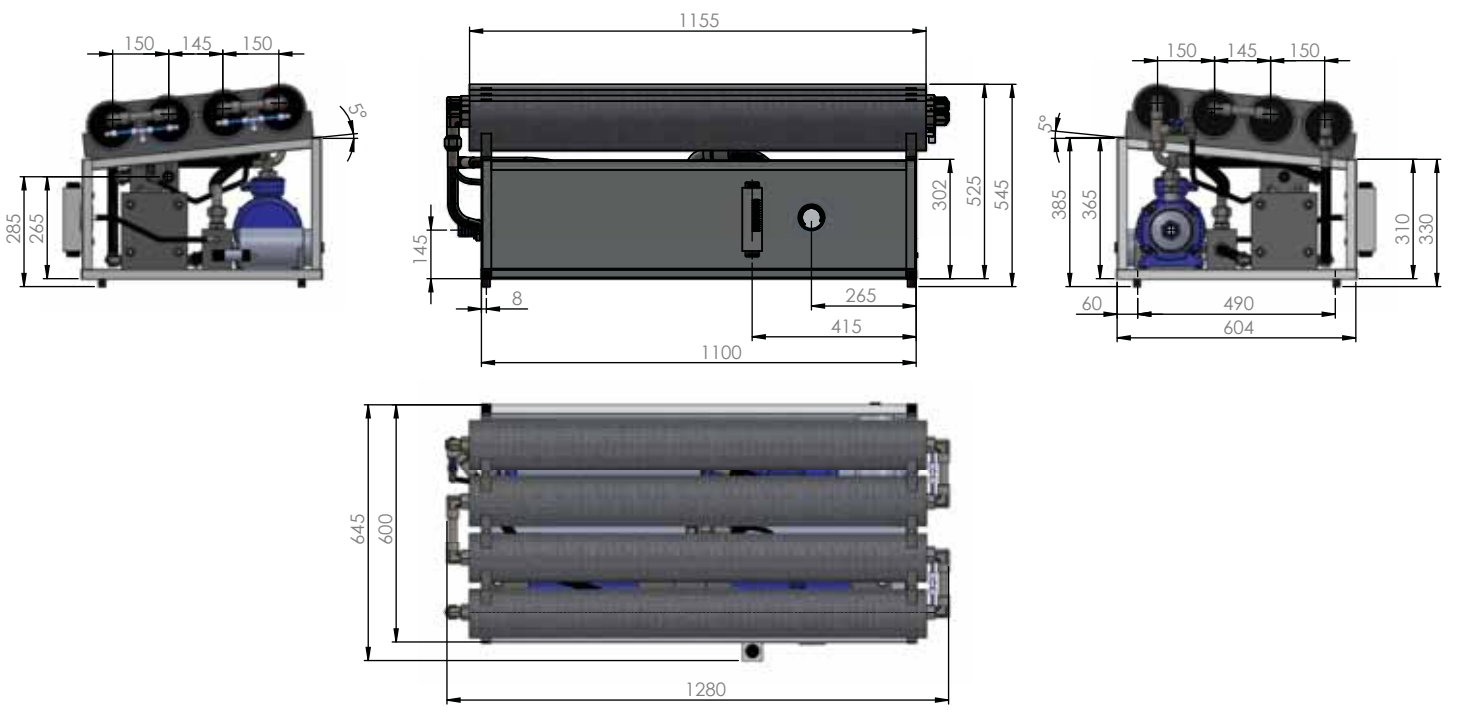
500 lit/h  
Gal/h 132

Main pump inside  
INVERTER TECHNOLOGY



Power Supply	AC three phase
Consumption	3,5 kW
Weight	396.8 lbs
Membranes	n°4 4" x 40"

- 14/20 PERSONS
- 70/100 FEET SAILBOAT
- 65/80 FEET CATAMARAN
- 65/80 FEET POWERBOAT





# Remote panels

## BASIC



### Functions:

- Start/stop
- Back flush
- Timer

**Dimension:** 3.9" x 2.6"

### Available for:

- Zen 30, 50, 100, 150
- Smart 30, 60, 80, 100
- Modular 35, 60, 100

## DIGITAL



### Functions:

- Remote Start/Stop
- Timer
- Automatic flushing
- Intensive flushing
- Periodic flushing
- Hours counter
- Automatic start up
- Assisted maintenance
- Salinity monitoring (optional)
- Control from tank level switches

**Dimension:** 5.3" x 4.5"

### Available for:

- Smart 30, 60, 80, 100
- Modular 35, 60, 100, 150, 230, 300, 500

## TOUCH



### Functions:

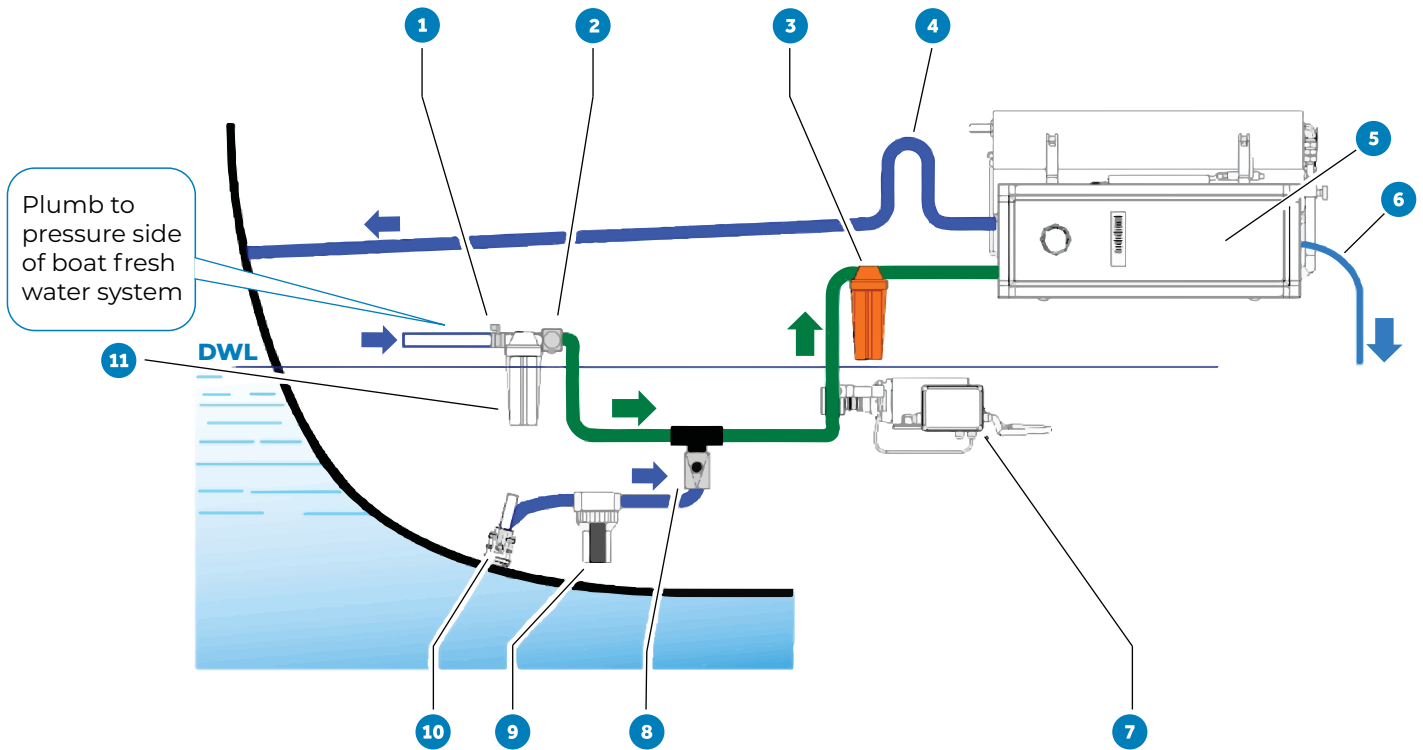
- Remote Start/Stop
- Timer
- Automatic flushing
- Intensive flushing
- Periodic flushing
- Hours counter
- Automatic start up
- Assisted maintenance
- Salinity monitoring (optional)
- Flow meter (optional)
- Pressure meter (optional)
- Control from tank level switches

**Dimension:** 4.7" x 3.2"

### Available for:

- Zen 100, 150
- Zen twin 200, 300
- Smart 30, 60, 80, 100
- Modular 35, 60, 100, 150, 230, 300, 500

# Typical installation

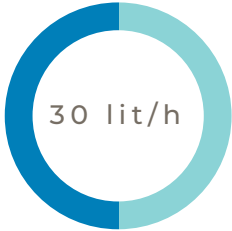


## LEGEND

- |   |                   |    |                      |
|---|-------------------|----|----------------------|
| 1 | Fresh water valve | 7  | Feed pump            |
| 2 | Solenoid valve    | 8  | Check valve          |
| 3 | 5 micron filter   | 9  | Sea strainer         |
| 4 | Siphon breaker    | 10 | Intake               |
| 5 | Watermaker        | 11 | Active carbon filter |
| 6 | Production output |    |                      |

# Feed pumps

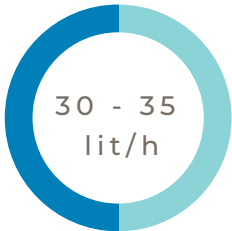
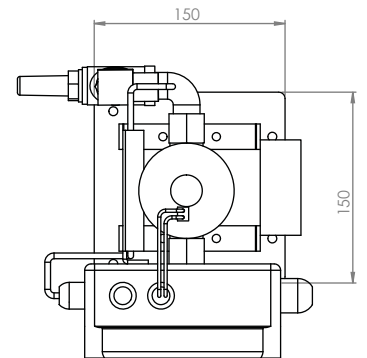
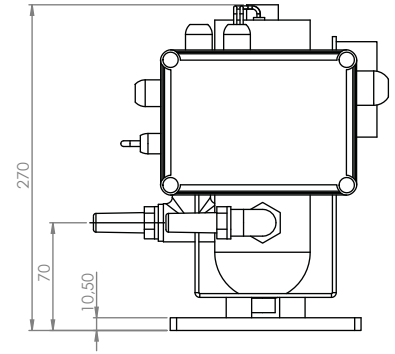
All watermakers in the 30-150 litres per hour range are fitted with a single feed pump. A choice of pump configurations offers flexible options when space is limited.



30 lit/h

AVAILABLE FOR

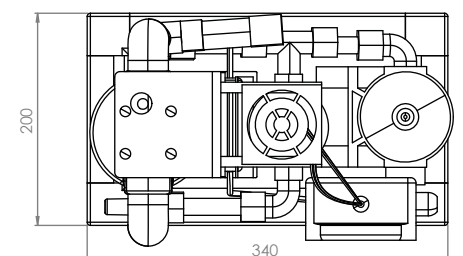
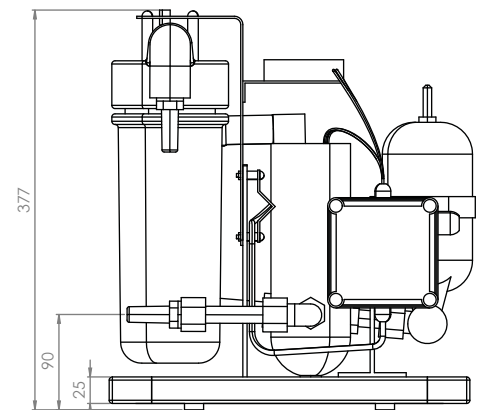
zen 30



30 - 35  
lit/h

AVAILABLE FOR

smart 30 | modular 35

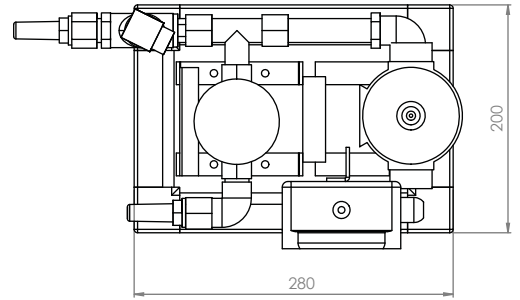
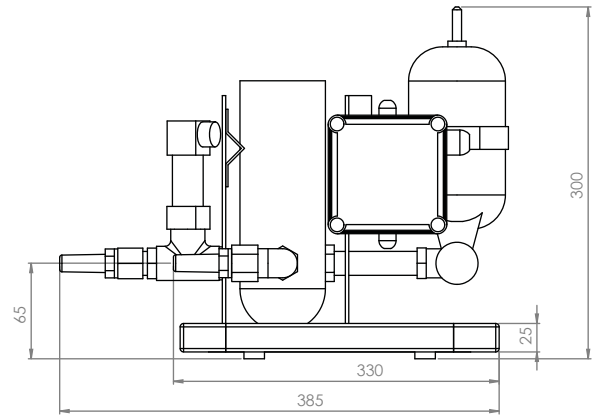




30 - 35  
lit/h

AVAILABLE FOR

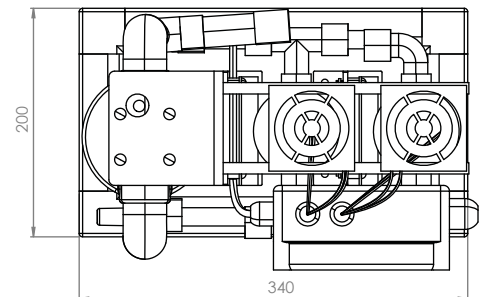
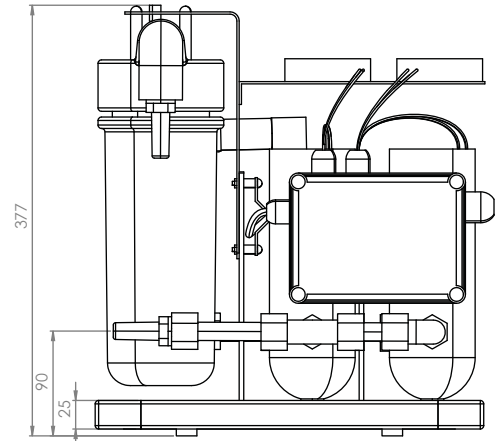
smart 30 | modular 35  
with external filter



60 lit/h

AVAILABLE FOR

smart 60 | modular 60

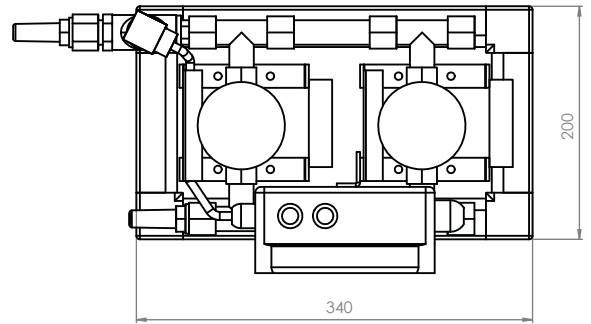
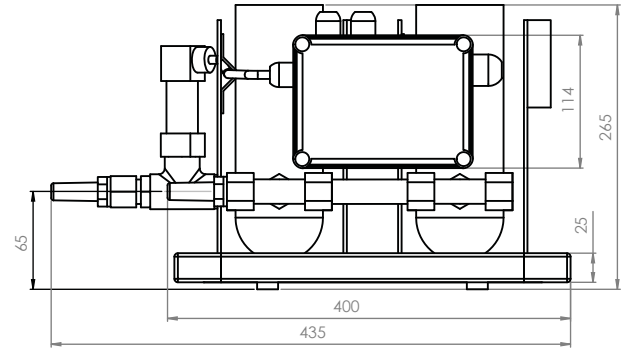


50 - 60  
lit/h

AVAILABLE FOR

zen 50 | smart 60 | modular 60

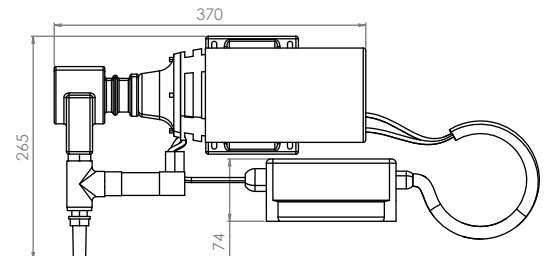
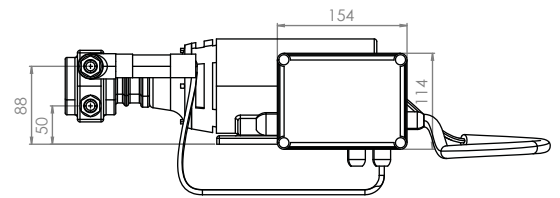
with external filter

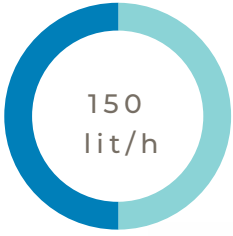


80 - 100  
lit/h

AVAILABLE FOR

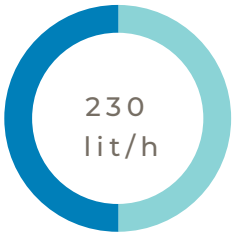
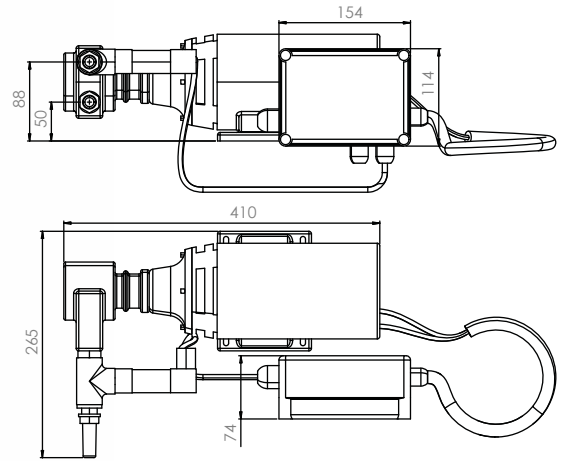
zen 100 | twin 200 | smart 80 | smart 100 | modular 100





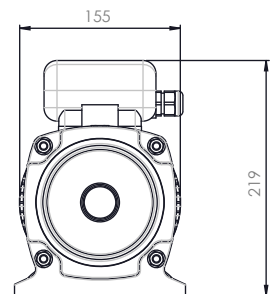
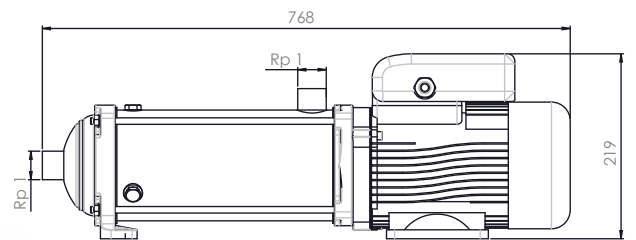
AVAILABLE FOR

zen 150 | twin 300 | modular 150



AVAILABLE FOR

modular 230



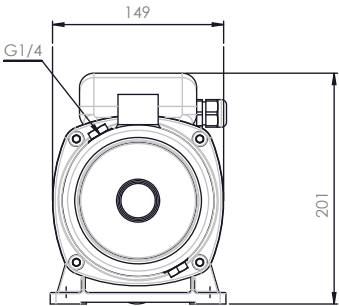
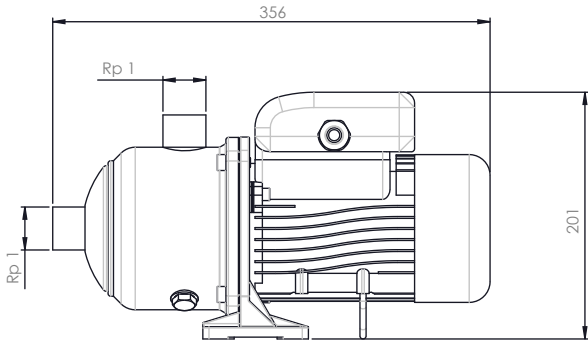


# Pre pumps



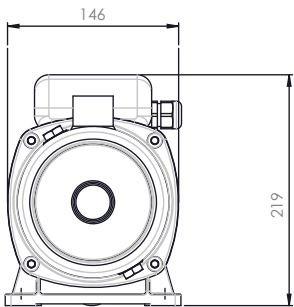
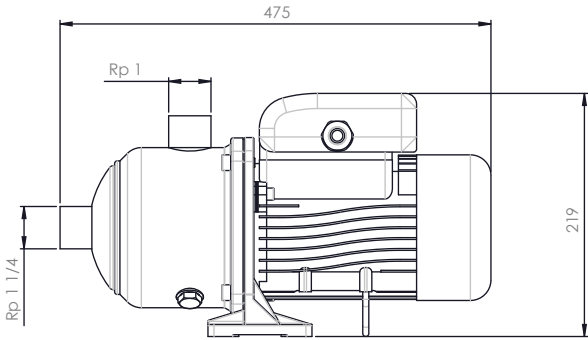
230 - 300  
lit/h

AVAILABLE FOR modular 230 | modular 300



500  
lit/h

AVAILABLE FOR modular 500



# notes

