

Cruiser Services

Supplying the gear that lets you Go Cruising, Not Camping

Schenkerwatermakersusa.com
Email: rich@cruiserservices.com
Phone: US CELL 619-609-3432

AQUATREK

Just pure water. Everywhere.





Schenker
WATERMAKERS

SCHENKER COMPANY

The history

Established in 1998 Schenker is a leading manufacturer of high quality watermakers based on an energy recovery system. The company owns 3 patents and has a long history of investing in research and development, focused to provide to the customers the best technical solutions. Today as well as tomorrow.

The mission

Provide an high quality and innovative product, that satisfies all the customers needs. Offer to the customers not only a quality product, but even an excellent service, every day. Provide eco-sustainable, simple and reliable solutions for making water.

The heart of innovation

Schenker watermakers, as an alternative to the high pressure pumps of traditional systems, make use of a new patented device (Energy Recovery System) that amplifies the pressure supplied by the low pressure pumps, recovers most part of the spent energy, thus enabling very high energy efficiency. The consumed energy is up to 80% lower than traditional systems.

ABOUT AQUATREK

Aquatrek is an efficient, portable solution to produce fresh water basically from any source, lakes, rivers, ponds, sea.

Aquatrek is built into a tough military grade wheels case, that includes the watermaker itself, the prefilter and the connection hoses to the water source (10 mt. long). Aquatrek is available in 2 versions, Aquatrek 30, that produces 30 lit/h (7.9 Gal/h) of fresh water with an electric consumption of 110 watt only, and Aquatrek 50, that produce 50 lit/h (13.2 Gal/h) with an electric consumption of 240 watt. Both units are powered 12 V and can be connected to any external battery.

Anyway it is also available the Aquatrek PowerBox. It is assembled in a strong suitcase as well, and includes a special Lithium battery, a charger that can accept all DC/AC standards to activate the recharging cycle of the battery, and a folding solar panel that allow to charge the battery, and power the watermakers, directly from the sun.

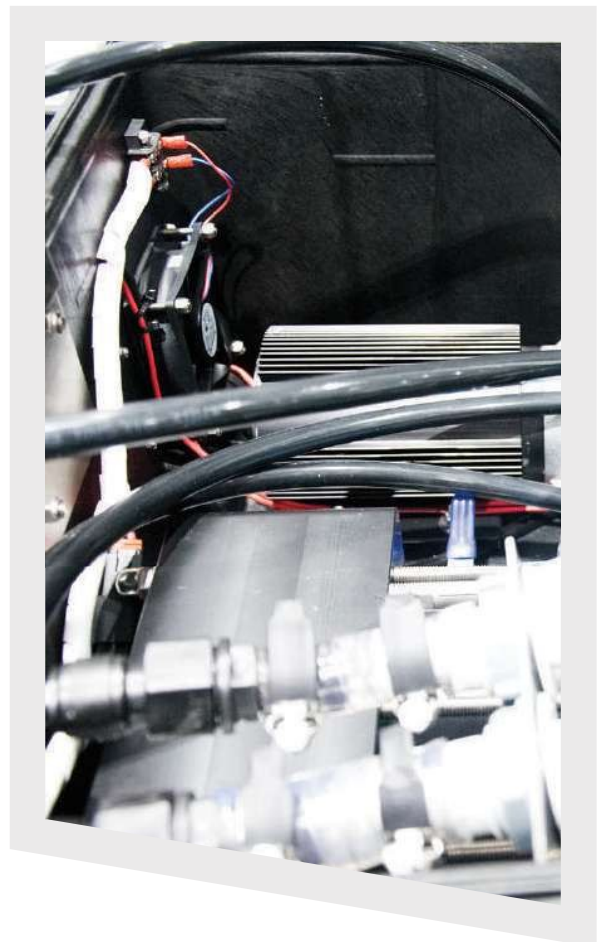
Powerbox is therefore an ideal complement of both Aquatrek 30 and 50.





TECHNICAL SPECIFICATIONS

- ✓ Capacity: 30 lit/h - 7.8 Gal/h
- ✓ Power Supply: 12 VDC
- ✓ Consumption: 110 W - 9 A
- ✓ Weight: 38 kg 84 lb
- ✓ Membranes: n.1 2.5" × 21"
- ✓ Filters: 50 mesh strainer
5 micron melt blown 5" × 2½"
- ✓ Inlet hose: i.d. 16 mm length 10 mt
- ✓ Discharge hose: i.d. 16 mm length 5 mt
- ✓ Permeate hose: i.d. 6 mm length 5 mt
- ✓ Suction Capacity: Horizontal 10 mt
Vertical 1 mt



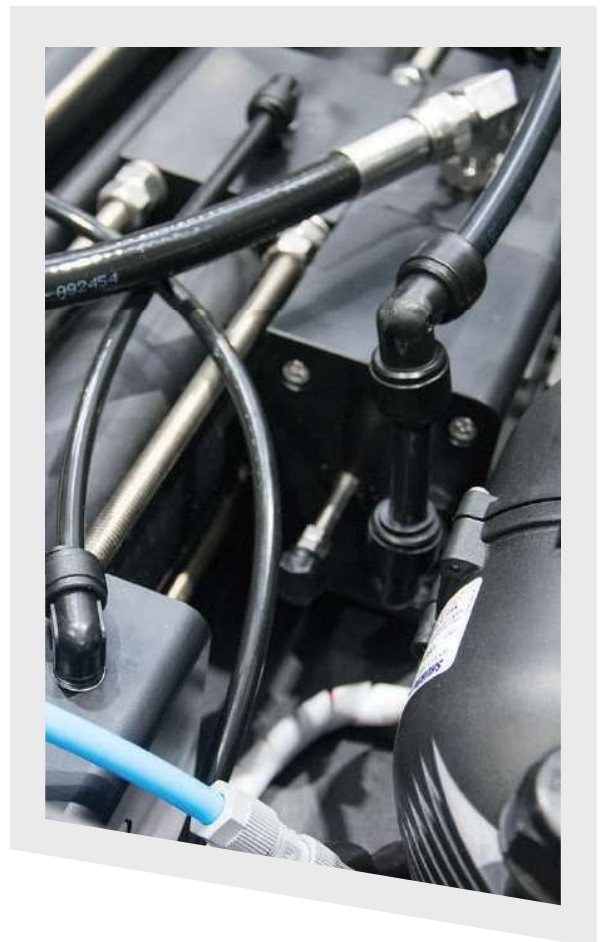
AQUATREK50



TECHNICAL SPECIFICATIONS

- ✓ Capacity: 50 lit/h - 13.2 Gal/h
- ✓ Power Supply: 12 VDC
- ✓ Consumption: 240 W - 20 A
- ✓ Weight: 48 kg 106 lb
- ✓ Membranes: n. 2 2.5" × 21"
- ✓ Filters: 50 mesh strainer
5 micron melt blown 5" × 2½"
- ✓ Inlet hose: i.d. 16 mm length 10 mt
- ✓ Discharge hose: i.d. 16 mm length 5 mt
- ✓ Permeate hose: i.d. 6 mm length 5 mt
- ✓ Suction Capacity: Horizontal 10 mt
Vertical 1 mt

"The unit is based on 2 parallel pumps. The unit can work in dual pump mode, producing 50 lit/h drawing 240 watt, or single pump mode (30 lit/h - 110 Watt)"





TECHNICAL SPECIFICATIONS

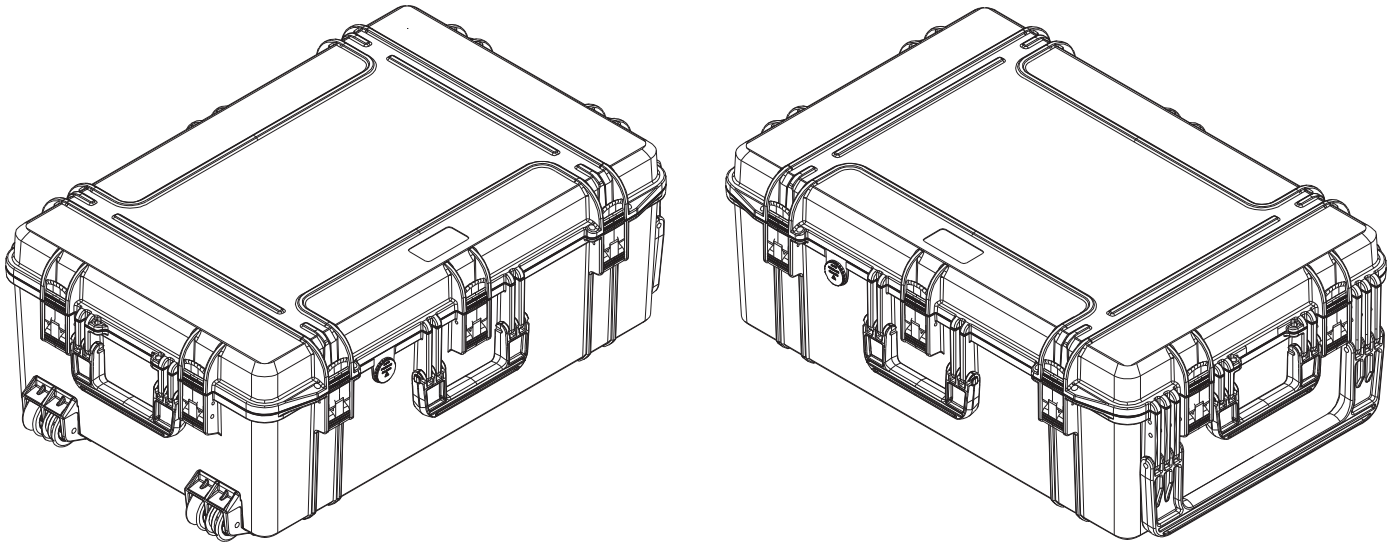
- ✓ Battery type: Battery type Lithium-ion (LiFePO₄)
- ✓ Capacity: 40 Ah
- ✓ Stored energy: 512 Wh
- ✓ Nominal voltage: 12.8 V
- ✓ Weight: 25 Kg
- ✓ Safety features: Overload
Short-circuiting
Temperature
Excessive discharge

FOLDABLE SOLAR PANEL

- ✓ Power 120 Watt
- ✓ Voltage 12 VDC
- ✓ Cells 3 × 12
- ✓ Dimension unfolded 1280 × 540 mm



CASE DRAWINGS



External dimensions: 816 × 540 × H 306 mm

It's certified matching the following requirements:

- ✓ STANAG 4280*
- ✓ DEF-STAN 81-41*

*The STANAG 4280 and DEF-STAN 81-41 standards for military use are embraced by the NATO (North Atlantic Treaty Organization) countries.

ASSEMBLY WITH POWER BOX





Complesso industriale condominio Genesis
Via Ferrante Imparato, 499/501
80146 | Naples | Italy

Tel. +39 081 5593505
Tel. +39 081 5590931
Fax +39 081 5597372
e-mail: info@schenker.it

www.schenkerwatermakers.com



The texts, the photographs and the drawings reported in this brochure are an exclusive property of Schenker Italia S.r.L. and they cannot be reproduced without the explicit written authorisation.
The description and the technical data of the brochure should be considered for guidance. Schenker Italia reserves the right to vary and modify them at any moment without prior notice.